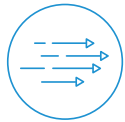




High-throughput satellites in Low Earth Orbit (LEO - 550KM) deliver up to 350 Mbps downlink and up to 50 Mbps uplink capacity.



Close proximity to Earth delivers latency of less than 99MS round trip for today's advanced capabilities.



The proliferated nature of the Starshield network ensures resiliency and redundancy to practically anywhere on Earth.



Starshield's addition to the SES Space & Defense Portfolio provides all-orbit satellite solutions across LEO, MEO, and GEO.

STARSHIELD LEO SATCOM AUTHORIZED RESELLER TO U.S. GOVERNMENT

The Starshield low-latency LEO satellite services joins the SES Space & Defense All-Orbit Portfolio

Today's modern military depends on a new era of software-enabled platforms and systems connected to network-enabled smart devices and sensors. This not only makes connectivity essential but also positions latency as a crucial element on the battlefield.

The advanced applications and capabilities powering our warfighters rely on minimal latency. Any military-deployed satellite solution must exhibit the speed, resilience, and assurance to safeguard our information and maintain a strategic advantage over our adversaries.

Empowering the most advanced military capabilities, the Starshield LEO satellite service delivers speed and due to the

proliferated nature of PLEO constellation, provides bake-in redundancy and unprecedented coverage from pole-to-pole and everywhere in between.

The incorporation of Starshield into SES's existing MEO and GEO services increases the resiliency for continuous connectivity and mission-tailored performance. This integration ensures that the military always has access to the precise satellite solution to meet its requirements and the flexibility to leverage multi-band satellite communications from any orbit.

SES Space & Defense oversees integrated all-orbit service offerings, ensuring the provision of vital services and support that our military has depended on for decades.

STARSHIELD Global Access:

Service

- Priority Access Data: 5 TB/mo
- After data exhausted, throttled to 1/1 Mbps
- Additional Priority Data on per GB basis

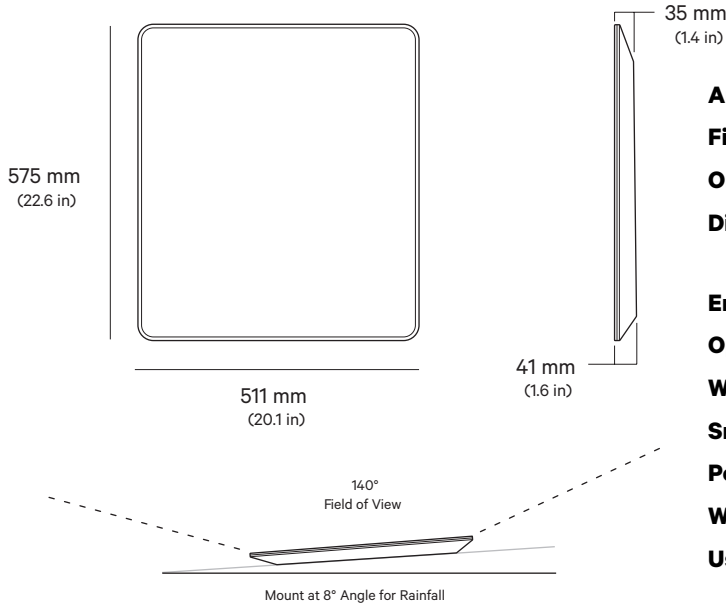
Network Priority Level

- High (100+ Mbps Download)
- Expected Download: 60 – 250 Mbps
- Expected Upload: 10 – 30 Mbps

STARSHIELD Comms Features:

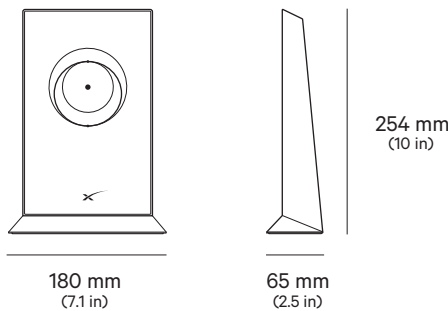
- Military Specific Terms of Service
- Higher Network Prioritization
- Can “home” to US Starlink PoPs
- Pole-to-Pole Coverage
- Prioritized support

Flat High Performance Antenna:



Antenna	Electronic Phased Array
Field of View	140°
Orientation	Fixed
Dish Weight	5.9 kg / 13 lbs without Cable 6.7 kg / 15 lbs with 8 m / 26.2 ft Cable
Environmental Rating	IP56
Operating Temperature	-30°C to 50°C (-22°F to 122°F)
Wind Speed	Survivable: 280 kph+ (174 mph+)
Snow Melt Capability	Up to 75 mm / hour (3 in / hour)
Power Consumption	Average: 110-150 W
Wi-Fi	Dual Band Wi-Fi 5 - 3x3 MIMO
User LAN	RJ45 Cable

Router



Wi-Fi Technology	802.11ac Dual Band
Generation	Wi-Fi 5
Radio	Dual Band -3 x 3 MIMO
Operating Temperature	-30°C to 50°C (-22°F to 122°F)
Weight	1 kg (2.2 lbs)
Security	WPA2
Range	Up to 185 m (2000 ft) *Varies on placement, interference, and materials
Environmental Rating	IP54 - Configured for Indoor Use
Power Indicator	White LED Base of Router
Mesh Compatibility	Compatible with up to 12 Starlink Nodes
Devices	Connect up to 128 devices